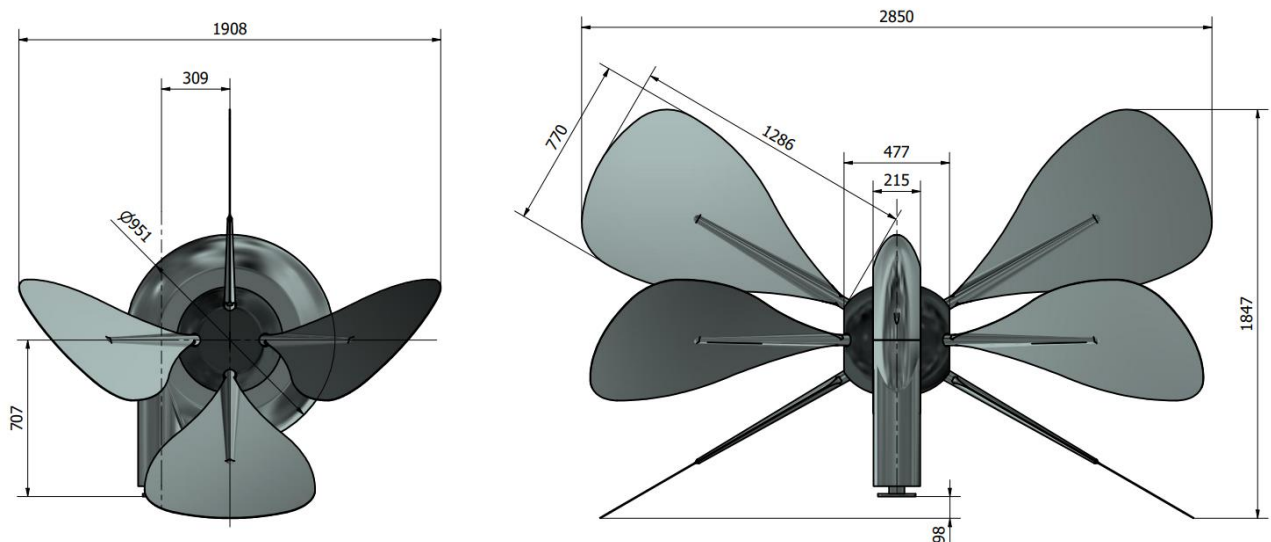


- Approved technical data of the V2.8-1300

Movement type: 3D bionic (motion derived from nature)

2. Maximum generator output voltage: 3 x 0-260VAC
3. Generator type: Axial Flux Permanent Magnet Generator
4. Nominal power: ca.3.0kW / ca. 100RPM
5. Maximum power: ca 3.4kW / ca.150RPM
6. Number of blades: 8 pieces
7. Blade thickness: 3,5mm
8. Blade material: Carbon
9. Blade area: 0.62m² / side
10. Blade weight: 4,5kg /pcs
11. Blade suitable up to +160km/h wind heaves
12. SWISS HEART: 2 pieces
13. Rotation around its own axis: free
14. Gusts and storm protection: Mechanical and electronic
15. Weight: 220kg (without mast and blade)
16. Mast height by region: up to 13m
17. Maximum wind speed: up to +130km/h
18. Dimensions V2.8-1300: in mm, please see below
19. Noise exposure; approx..under 50 dB



- V2.8-1300 mit Bilder 360°

